

TERMOSTAT BIMETAL CONTACT SIMPLU

BIMETALLIC THERMOSTAT WITH SIMPLE CONTACTS

TM4

Caracteristici tehnice:

Temperatura de lucru: -20°C ÷ +120°C

Histerezis: ~ 12°C din valoarea setata

Eroare comutatie: ± 3,5°C

Gradient temperatura max: 3°C/min

Masa: 0,06 Kg

Corp: in ottone esagonale CH27mm

Caracteristici electrice:

- Conexiune electrică conform DIN43650, M3 o M2

- Protecție conform DIN 40050, IP65 (M3 e M2)

- Conexiune electrică conform IEC60947-5-2, M12

- Protecție conform DIN 40050, IP67 (M12)

- **Curenta maxim contacte:** AC 15A / DC 10A

Garantie: vezi pagina dedicata

Piese de schimb: vezi pagina dedicata

Versiuni:

- Conexiuni electrice speciale (DT04, DT062S WPC, ecc...)

- Executii speciale

- Setari diferite de temperatura

- **TM4 ATEX** à II 3G Ex nc IIB T6 Gc IP65

Technical Characteristics:

Working temperature: -20°C ÷ +120°C

Fixed hysteresis value ~ 12°C of the setting value

Switching accuracy: ± 3.5°C

Max temperature gradient: 3°C/min

Weight: 0.06 Kg

Body: in brass hexagonal CH27mm

Electrical characteristics:

- electrical connection standard DIN43650, M3 or M2

- electrical protection according to DIN 40050, IP65 (M3 and M2)

- electrical connection to standard IEC60947-5-2, M12

- electrical protection according to DIN 40050, IP67 (M12)

- Maximum load on contacts AC 15A / DC 10A

Warranty: see dedicated page

Spare parts: see dedicated page

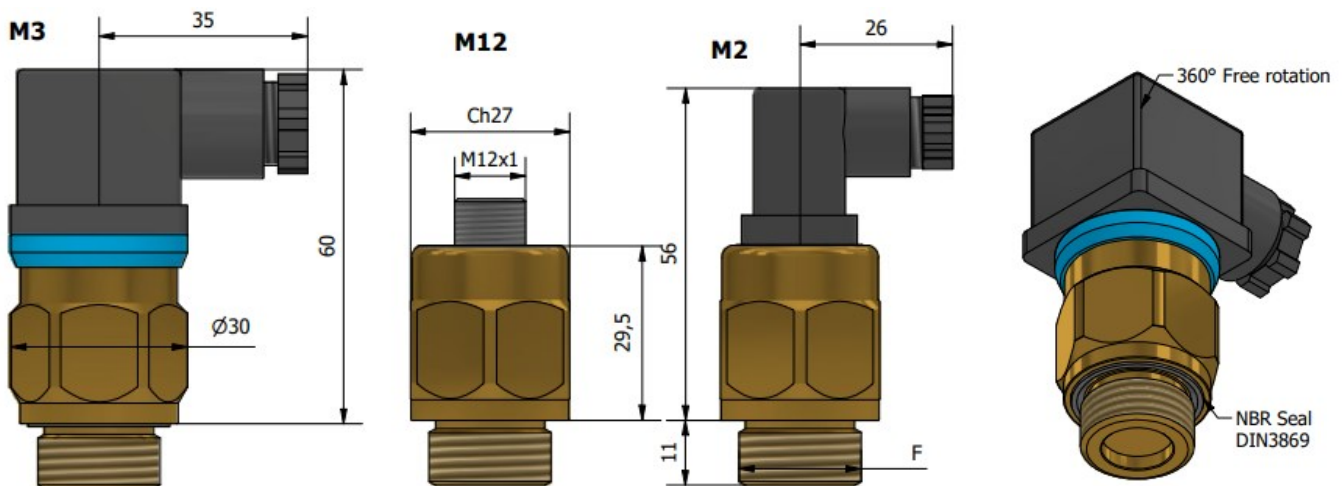
Available:

- Special electrical connections (DT04, DT062S WPC, etc...)

- Values of special interest

- Different values of temperature settings

- **TM4 ATEX** II 3G Ex nc IIB T6 Gc IP65



TM2		
Model	Temperatura	P Max	Tip contact	Material corp	Conexiune hidraulica	Conexiune electrica
Type	Fix set switching	P Max	Electric contact	Body material	Hydraulic connection	Electrical Connection
TM.	°C
TM44	40	200 Bar	A NA NO C NC NC	Alama stadard Brass Standard X <i>AISI316</i>	1 > 1/2" BSP-M 2 > 3/8" BSP-M 3 > M22x1.5-M	M3 standard M2 =16x16mm conector / connector M12 Conector M12x1 Connection M12x1 (Female connector excluded)
TM45	50					
TM46	60					
TM47	70					
TM48	80					
TM49	90					
TM49.0	100					
TM49.1	110					
TM49.2	120					

Bimetallic Thermostat TM4-M3 Series

Description

The TM4 thermostat allows the switching of an electrical contact when a fixed temperature value is reached.

Technical Features

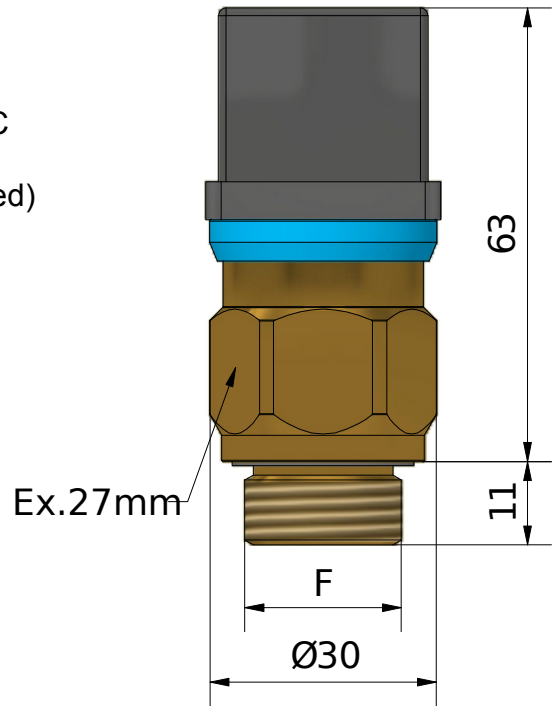
Hexagonal body: 27mm hexagon in brass
 Hydraulic connection F: 3/8"BSP, 1/2"BSP, M22 x 1.5
 Fixed intervention value: On request from 40°C to 120°C
 Maximum pressure: 200 bar
 Contacts: N.O. (Normally Open) or N.C. (Normally Closed)

Seal: NBR
 Switching frequency: 20 cycles / min
 Operating temperature: -20 ÷ 120 °C
 Intervention accuracy: ± 3.5 °C
 Hysteresis fixed value: ~ 12 °C of the set value

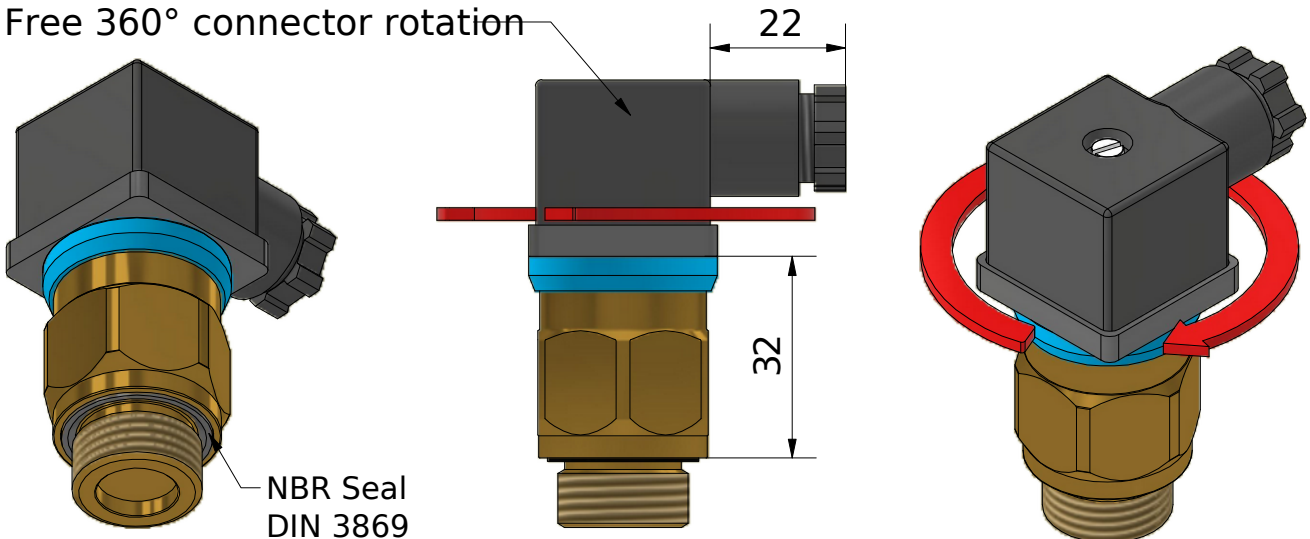
Load on contacts:
 220 VAC / 10 A
 125 VAC / 15A

24 VDC / 10 A
 12 VDC / 10 A

Electric connection: DIN 43650
 Electrical protection DIN40050: IP65



Free 360° connector rotation



	Date	Name:	DESCRIPTION:	SCALE:
DRAWN:			Thermostat TM4 - Series	1:1
CHECKED:				
APPROVED:				
Projection:ISO128			DRAWING No/FILE NAME	SHEET
ALL DIMENSION ARE IN MILLIMETER EXCEPT WHERE OTHERWISE NOTED			TM4-DS	1 of 1